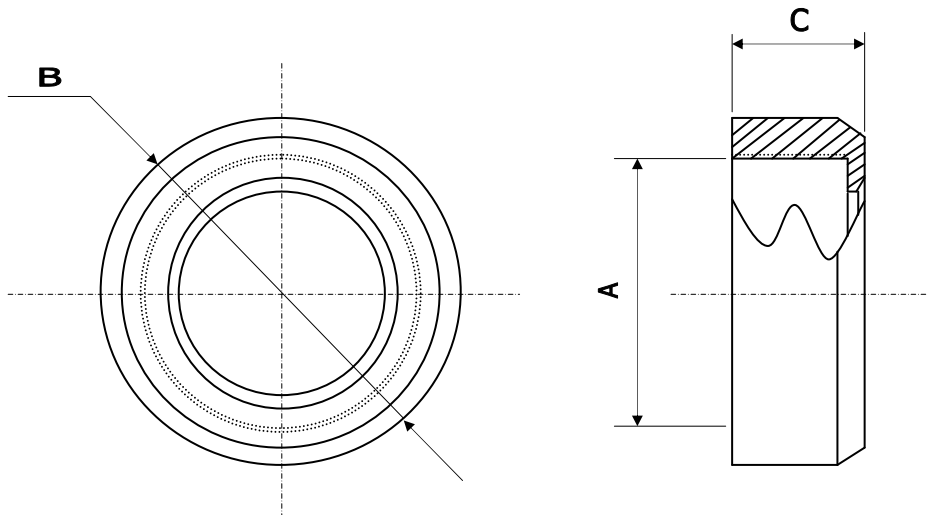


Se emplean para proteger la salida de cables en extremos de tubos y racores.

*They are used to protect the exit of cables in ends of tubes and racors.*

La fabricación es de acero electrocincado y roscas GAS o NPT.

*Electrolytic zinc steel made and GAS or NPT threaded.*



Ref.	A ∅	B mm	C mm	peso g.
IE-2001	1/2"	30	15	22
IE-2002	3/4"	35	15	33
IE-2003	1"	40	18	39
IE-2004	1 1/4"	50	18	97
IE-2005	1 1/2"	55	20	132
IE-2006	2"	70	25	178
IE-2007	2 1/2"	85	30	246
IE-2008	3"	100	35	300
IE-2010	4"	130	40	510
IE-2011	5"	155	45	780
IE-2012	6"	180	48	870