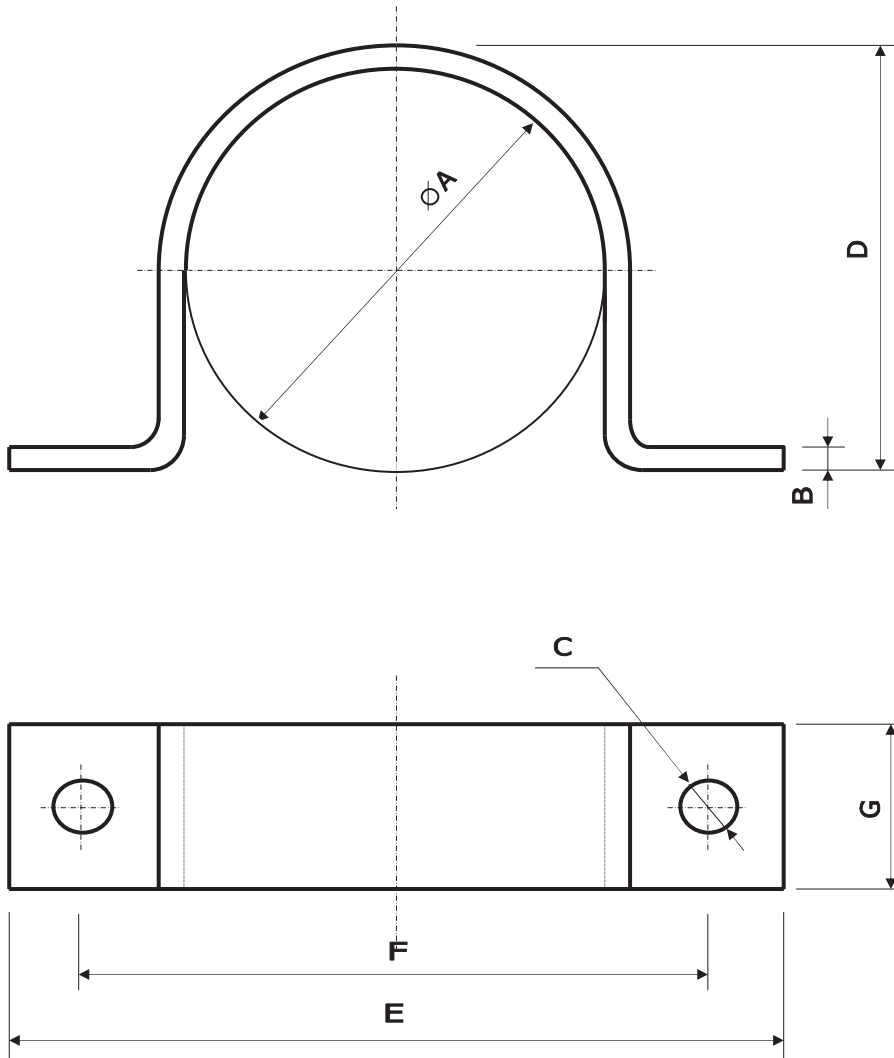


BRIDA FIJACION DE TUBOS**Serie IE-7200***BRIDLE TO FIND CONDUIT/SUPPORTING FLANGE IE-7200 Series*

Ref.	A \varnothing	B mm	C \varnothing	D mm	E mm	F mm	G mm
IE-7201	1/2"	3	7	22	63	45	20
IE-7202	3/4"	3	9	28	75	53	25
IE-7203	1"	4	11	35	86	66	25
IE-7204	1 1/4"	4	11	44	100	77	25
IE-7205	1 1/2"	4	11	49	110	86	30
IE-7206	2"	4	11	62	126	100	30
IE-7207	2 1/2"	4	13	70	144	116	35
IE-7208	3"	4	13	90	158	127	35
IE-7210	4"	4	14	114	190	157	40

La fabricación normal es en acero F-113 con protección de cinc electrolítico.

They are F-113 steel made, electrolytic zinc protection.